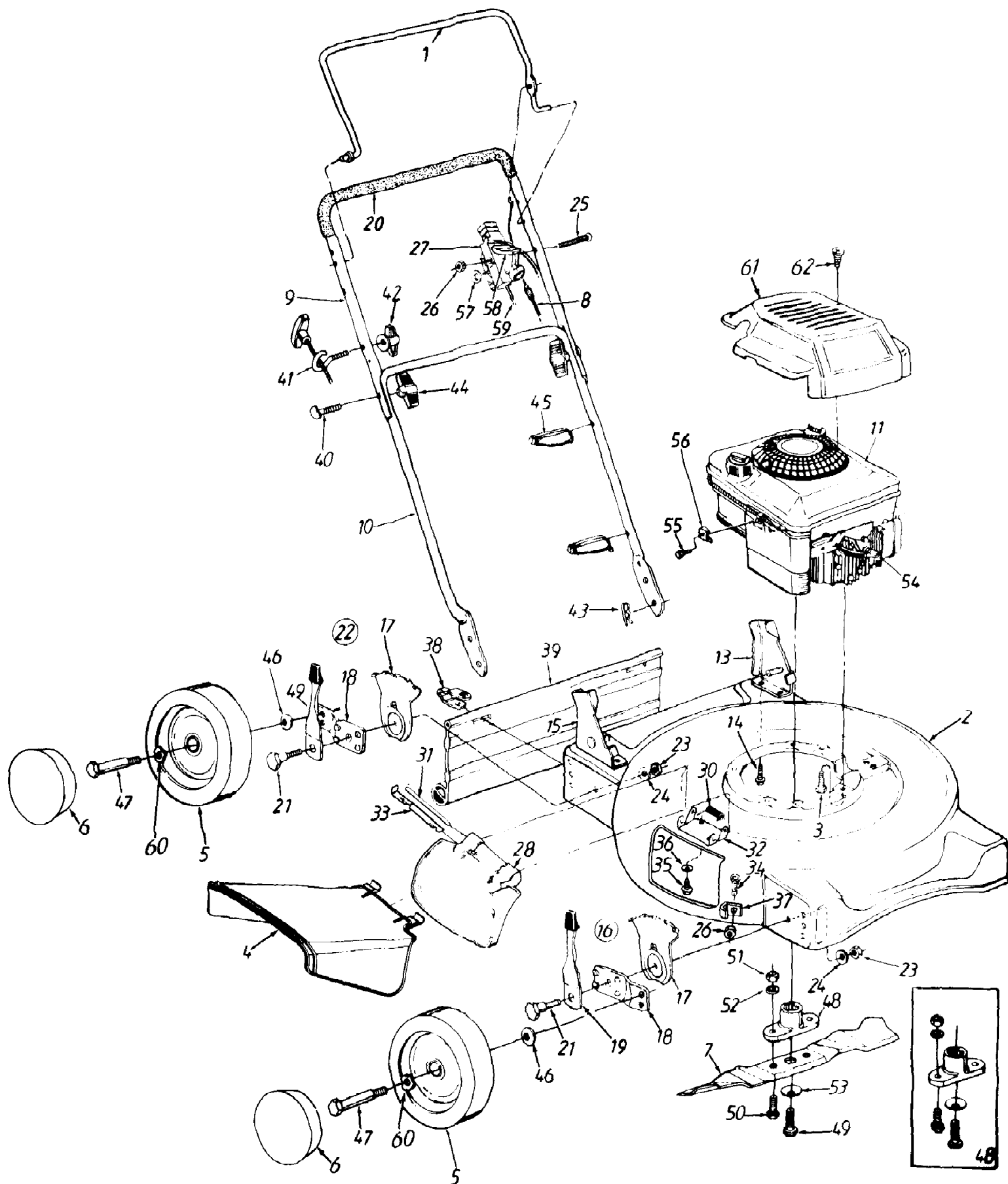


113-108C190 21" ERS Mulching 3 in 1 Mower (1993)
21" ERS Mulching 3-in-1 Mower



113-108C190 21" ERS Mulching 3 in 1 Mower (1993)
21" ERS Mulching 3-in-1 Mower

Page 2 of 3

Ref #	Part Number	Qty	S/P/F	Description
1	647-0004	1		Control Handle
2	682-0016	1		20" Deck Assembly
3	710-0654A	1	/P	Hex TT-Tap Scr. 3/8-16 x 1" Lg.
4	731-1407	1	S	Side Chute Deflector
5	734-1513B	1	S	Wheel Ass'y. Comp.
	741-0484	1	S	Wheel Bearings
6	731-0981A	1	S	Hub Cap
7	742-0720	1	S	20" Mulching Blade
8	746-0550	1	S	Control Cable - 39" (Green)
9	749-0538C	1	S	Upper Handle
10	749-0928	1	S	Lower Handle
11		1		5 H.P. Engine
13	12935B	1		Handle Brkt. Ass'y. - L.H.
14	710-0603	1	/P	Hex B-Tap Scr. 5/16-18 x .5" Lg.
15	12936B	1		Handle Brkt. Ass'y. - R.H.
16	14578	1	/P	Hgt. Adj. Ass'y. - R.H.
17	15261A	1	S	Height Adj. Plate
18	15262B	1	/P	Small Wheel Pivot Bar
19	14832	1	S	Spring Lever Ass'y. w/Knob
20	720-0226	1	S	Foam Grip
21	738-0507B	1	S	Shoulder Bolt .5" Dia. x .434"
22	14579	1		Height Adj. Ass'y. - L.H.
23	712-0798	1	/P/F	Hex Nut 3/8-16 Thd.
24	736-0356	1	S	Bell-Wash. .39" I.D.
25	710-0605	1	/P	Oval C-Sunk Mach. Scr.
26	712-0324	1	/P	Hex L-Nut 1/4-20 Thd.
27	746-0875	1	S	Throttle Body
28	682-7000	1	/P	Mulching Plug Ass'y. (Incl. Ref. 30, 31, 32)
30	732-0731	1	S	Torsion Spring
31	747-0710	1	S	Hinge Pin
32	782-7006	1		Plug Adapter
33		1		UNKNOWN
34	710-0167	1	/P	Carriage Bolt 1/4-20 x .5" Lg.
35	710-0599	1	/P	Hex TT-Tap Scr. 1/4-20 x .5" Lg.
36	736-0270	1	/P	Bell-Wash. .265" I.D.
37	782-7009	1		Chute Stop Brkt.
38	17098	1	S	Hinge Clip
39	731-1447	1		Rear Flap
40	710-1174	1	/P	Carriage Bolt 5/16-18 x 2" Lg.
41	710-1205	1	/P	Rope Guide
42	712-0397	1	S	Wing Nut 1/4-20 Thd.
43	714-0104	1	S	Int. Cot-Pin 5/16" Dia.
44	720-0276	1	S	Handle Knob
45	726-0240	1	S	Cable Tie
46	736-0105	1	/P	Bell-Wash. .38" I.D. x .88" O.D.
47	738-0102	1	S	Axle Bolt
48	753-0484	1		Blade Adapter Kit
49	710-1044	1	/P	Hex Bolt 3/8-24 x 1.5" Lg. - Gr. 5
50	710-1055	1	/P	Hex Bolt 3/8-24 x 1" Lg.
51	712-0241	1	/P	Hex Nut 3/8-24 Thd.
52	736-0169	1	S/F	L-Wash. 3/8" I.D.
53	736-0452	1	S	Bell-Wash. .39" I.D.
54	735-0639			

113-108C190 21" ERS Mulching 3 in 1 Mower (1993)
21" ERS Mulching 3-in-1 Mower

Page 3 of 3

Ref #	Part Number	Qty	S/P/F	Description
55	710-1237	1		Hex Self-Tap Scr. #10-32 x .62" Lg.
56	751-0568	1	S	Cable Clamp
57	736-0501	1	S	Spr. Wash. .66" I.D.
58	746-0876	1	S	Throttle Lever
59	746-0842	1	S	Throttle Wire - 51" (Red)
60	736-0504	1	S	Wave-Wash.
61	751B281302	1		Engine Shroud
62	710-1256	1	/P	Screw #10 x 1.25" Lg.